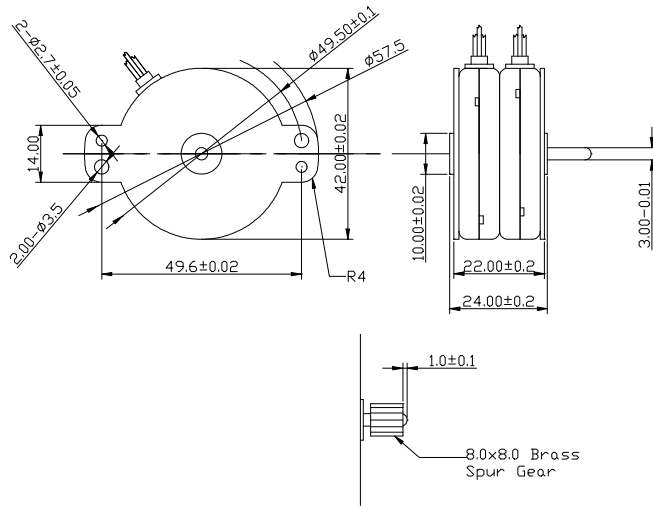
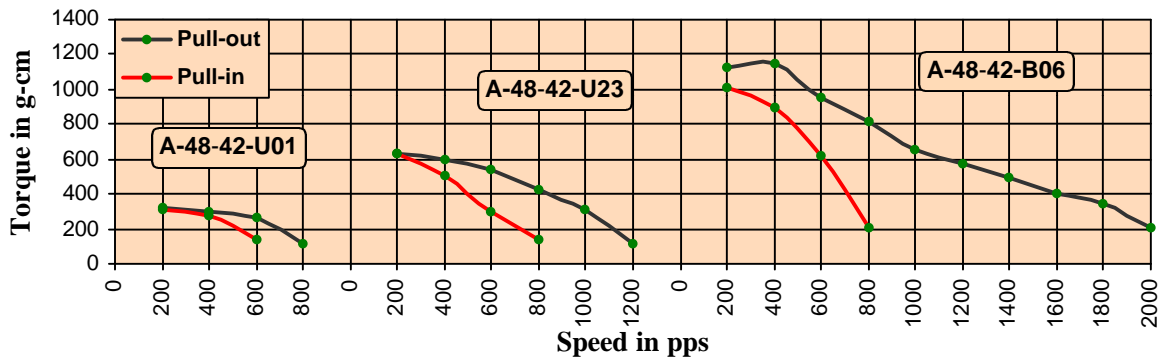


# A-48-42

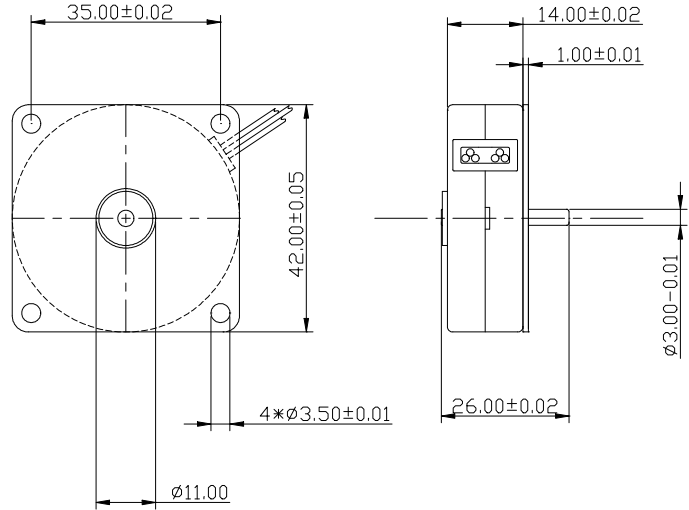
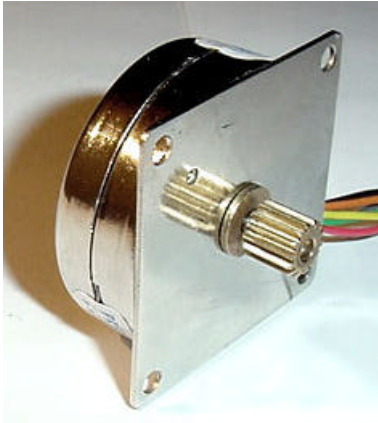


SPECIFICATIONS		A-48-42-U01	A-48-42-U23	A-48-42-B06
	Units	Unipolar, Low Torque	Unipolar, High Torque	Bipolar, High Torque
Operating Voltage	V	5	24	24
Rated Current	mA	900	700	1200
Resistance per phase	Ω	5.3	34	20
Inductance per phase	mH	3.8	17.5	17
Holding Torque	g-cm	340(2ph)	480(1ph) 650(2ph)	880
Detent Torque	g-cm	42	42	42
Rotor Inertia	g-m <sup>2</sup>	6.5 X 10 <sup>-4</sup>	6.5 X 10 <sup>-4</sup>	6.5 X 10 <sup>-4</sup>
Weight	gms	120	120	120
Step Angle	degrees	7.5	7.5	7.5
Step angle accuracy	°	+/- 0.5°	+/- 0.5°	+/- 0.5°
Max. operating Temperature	°C	100	100	100
Dielectric strength		1000 VAC for 1 min.	1000 VAC for 1 min.	1000 VAC for 1 min.
End play	mm	0.2	0.2	0.2

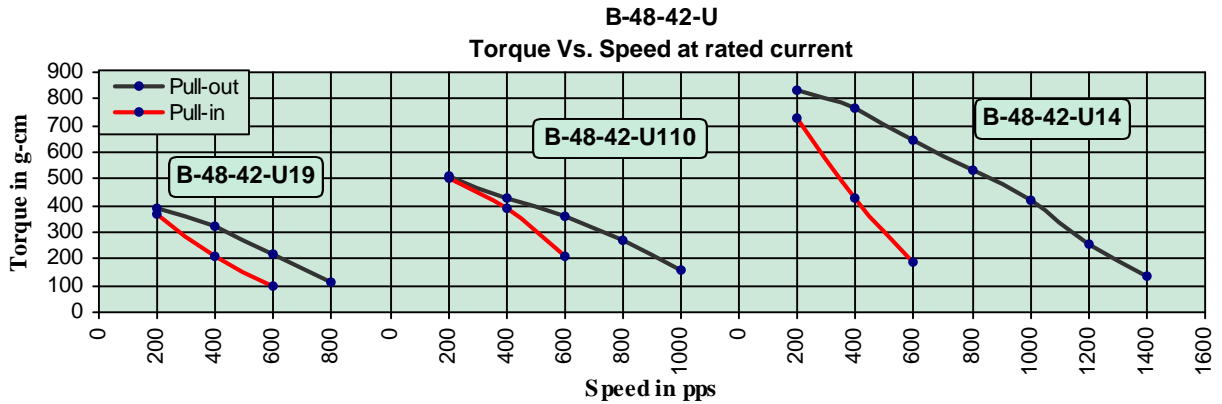
**A-48-42- Torque Vs. Speed at rated current**



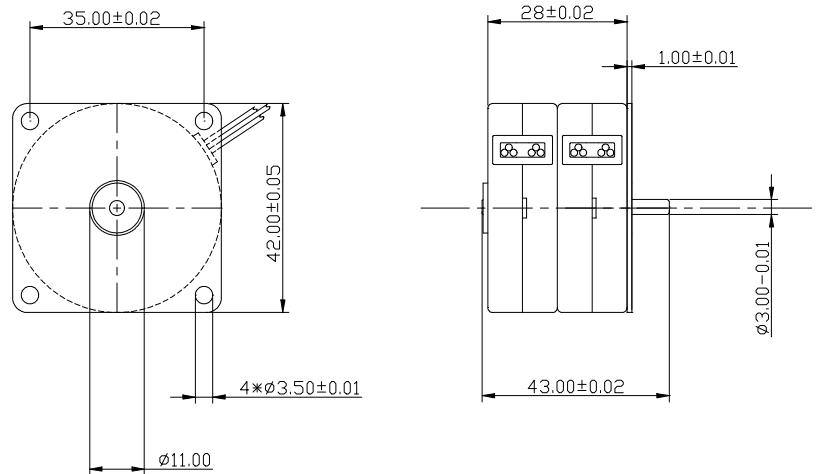
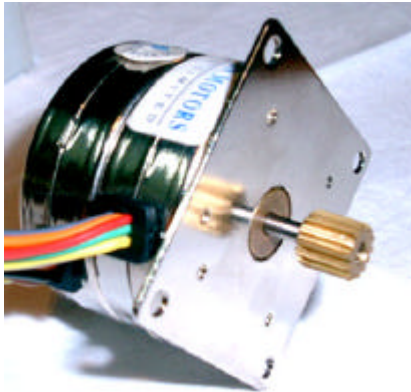
# B-48-42-U



SPECIFICATIONS		B-48-42-U19	B-48-42-U110	B-48-42-U14
	Units	Unipolar, Low Torque	Unipolar, Medium Torque	Unipolar, High Torque, High Speed
Operating Voltage	V	6	12	24
Rated Current	mA	830	500	600
Resistance per phase	Ω	6	24	40
Inductance per phase	mH	1.8	7.5	14
Holding Torque	g-cm	420	630	890
Detent Torque	g-cm	85	85	85
Rotor Inertia	g-m <sup>2</sup>	10.6 X 10 <sup>-4</sup>	10.6 X 10 <sup>-4</sup>	10.6 X 10 <sup>-4</sup>
Weight	gms	90	90	90
Step Angle	degrees	7.5	7.5	7.5
Step angle accuracy	°	+/- 0.5°	+/- 0.5°	+/- 0.5°
Max. operating Temperature	°C	100	100	100
Dielectric strength		1000 VAC for 1 min.	1000 VAC for 1 min.	1000 VAC for 1 min.
End play	mm	0.2	0.2	0.2



# D-48-42-U



SPECIFICATIONS		D-48-42-U29	D-48-42-U28	D-48-42-U24C
	Units	Unipolar, Medium Torque	Unipolar, High Torque	Unipolar, High Torque
Operating Voltage	V	6	12	24
Rated Current	mA	800 per stack	450 per stack	550 per stack
Resistance per phase	$\Omega$	3	10	22
Inductance per phase	mH	1.9	7.5	14
Holding Torque	g-cm	835	1488	1770
Detent Torque	g-cm	105	105	105
Rotor Inertia	g-m <sup>2</sup>	$21.3 \times 10^{-4}$	$21.3 \times 10^{-4}$	$21.3 \times 10^{-4}$
Weight	gms	175	175	175
Step Angle	degrees	7.5	7.5	7.5
Step angle accuracy	$^{\circ}$	$\pm 0.5^{\circ}$	$\pm 0.5^{\circ}$	$\pm 0.5^{\circ}$
Max. operating Temperature	$^{\circ}\text{C}$	100	100	100
Dielectric strength		1000 VAC for 1 min.	1000 VAC for 1 min.	1000 VAC for 1 min.
End play	mm	0.2	0.2	0.2

